

Data Sheet

As of 11/2019



öKlo LuliDu

Beschreibung

Our compact urinal is **regionally manufactured**, lightweight, and easy to transport, allowing for quick setup anywhere. It is **odor-free** in use, requires no suction for emptying, and needs neither electricity nor a water connection.

LuliDu is weather-resistant and durable, featuring a lockable, straw-filled collection container and the option for plant integration.

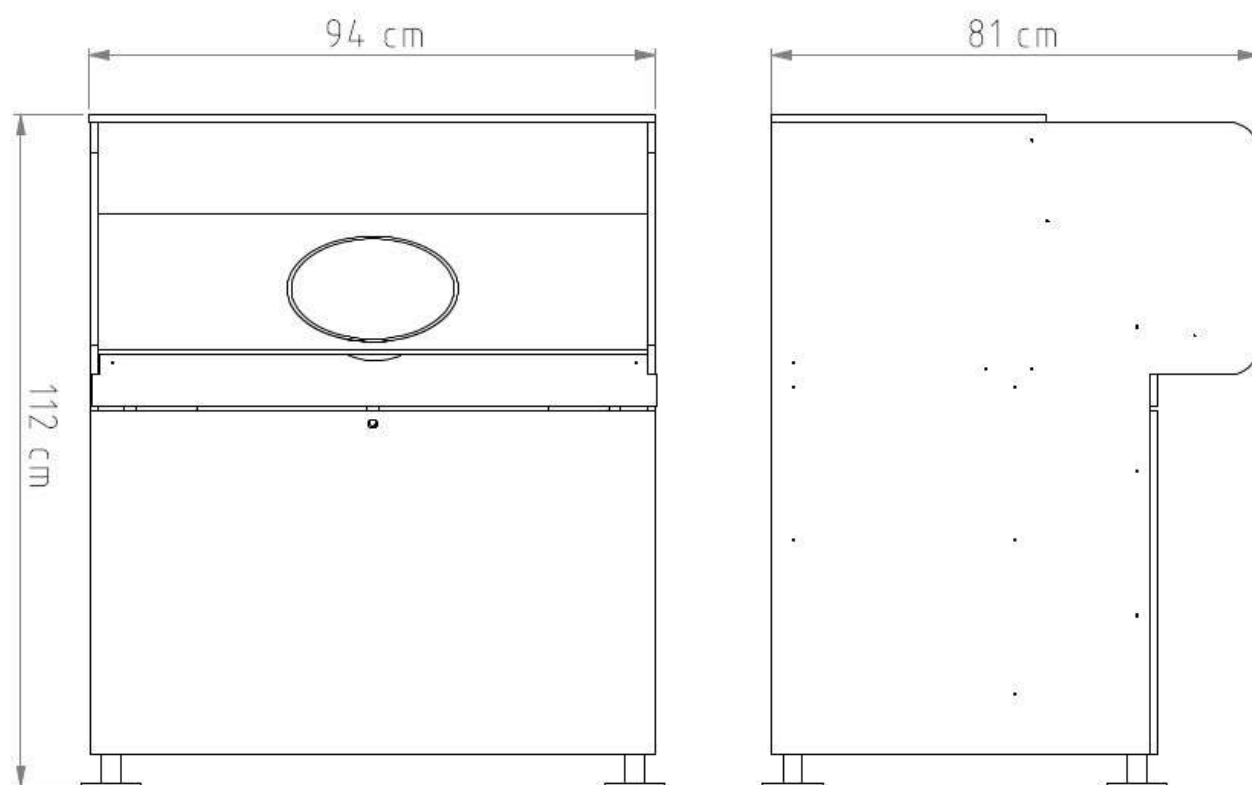
The materials used allow for easy cleaning, even with high-pressure or steam cleaners.

The following services are always included in the price

- Assembly and disassembly service
- Initial filling with straw

Data Sheet

As of 11/2019



Technical Data

• Dim. (LxWxH)	81x94x122 cm ^[1]	• Material	Wood ^[2]
• Tank Volume	140 liters	• Color	Adler Lignovit Terra
• Weight	135 Kg		

^[1] min. height of 124 cm when using adjustable feet;;

^[2] Film faced plywood, thickness 12/21 mm / birch plywood, thickness 12 mm / spruce beam, 45x45 mm;

Data Sheet

As of 11/2019



Features

• Feces Container	140 liters for approx. 400 uses
• Funnel	Stainless steel
• Flower Basket on Top	Capacity: 60 liters

Optional Features

• Height-adjustable feet
• Custom design options

Data Sheet

As of 11/2019



Product Photos

